

PFL1575-A12D

12 MP 1/1.7" 15-75mm Vari-focal Lens



Technical Specification

Model PFL1575-A12D

Parameter

Image Format	1/1.7"	
Focal Length	17-75mm	
Lens Pixel	12MP	
Aperture	F1.5	
Mount	C	
Field Angle (D*H*V)	1/1.7"(4:3)	W: 33°(D)x26°(H)x19.2°(V)~T: 7.8°(D)x6.3°(H)x4.7°(V)
	1/1.7"(17:9)	W: 30.6°(D)x26.8°(H)x13.8°(V)~T: 7.3°(D)x6.5°(H)x3.4°(V)
	1/2"	W: 28°(D)x22.2°(H)x16.5°(V)~T: 6.7°(D)x5.4°(H)x4°(V)
Lens Control	Focus	Manual
	Zoom	Manual
	Iris	DC-Iris
IR Correction	Yes	
M.O.D.	1.5m (4.92ft)	
Dimension	φ58mmx116mm (φ2.28"x4.57")	
Weight	465g (1.03lb)	
Operating Temperature	-30 °C ~+70 °C (-22 °F ~+158 °F)	
Humidity	<90% RH	

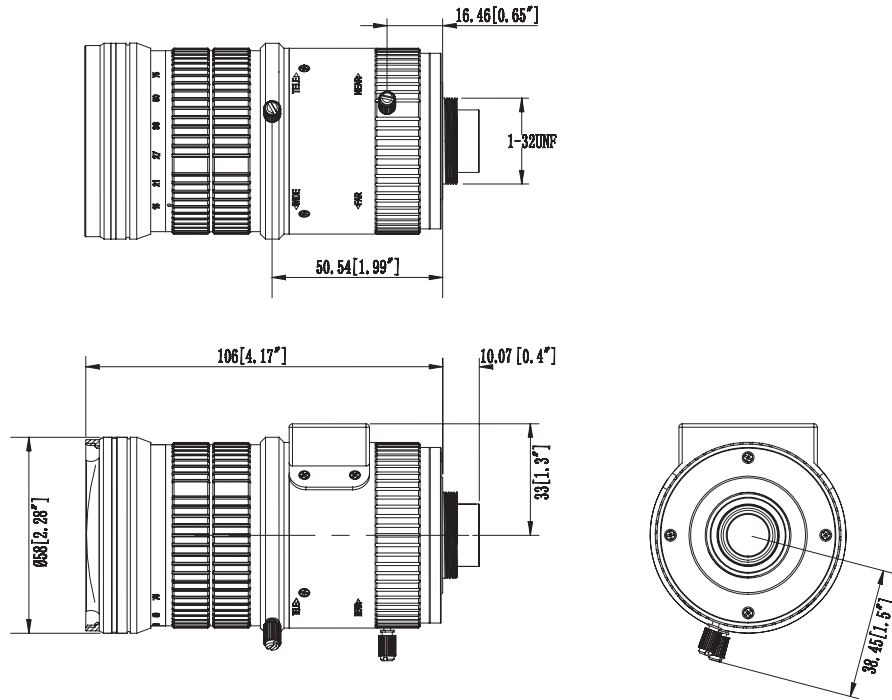
Certifications

Certifications	CE (EN55032, EN55024, EN50130-4) FCC (47 CFR Part 15 Subpart B)
----------------	--

Ordering Information

Type	Part Number	Description
Lens	DH-PFL1575-A12D	12MP 1/1.7" 15-75mm vari-focal lens
	PFL1575-A12D	12MP 1/1.7" 15-75mm vari-focal lens

Dimensions (mm/inch)



Application



Package Information

- 12MP 1/1.7" 15-75mm vari-focal lens PFL1575-A12D *1
- CS to C mount adapter *1